

Technical Data

Flatness:	0.6 μm (.000024") for models up to 300 mm (12"), 1.0 μm (.00004") for models over 300 mm (12")
Parallelism:	2 μm (.00008") for models up to 75 mm (3"), 3 μm (.00012") for models up to 150 mm (6"), (2+R/100) μm^* / $\pm[.00008^*+.00004(R/4)]^*$ for models over 150 mm (6")
Accuracy:	$\pm(4+R/75)$ μm^* / $\pm[.00016^*+.00004(R/3)]^*$

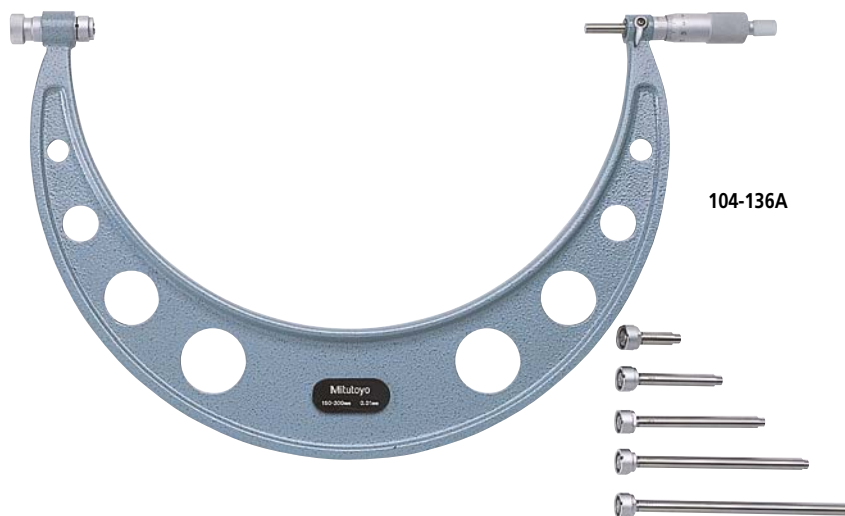
* R = max. range (mm/inch).
Note: Fractions rounded down.

Dimensions

See page B-21

SERIES 104 – Interchangeable Anvil Micrometer

- Wide measuring range with interchangeable anvils.
- Measuring face of the spindle is carbide tipped (standard model).
- Equipped with Ratchet Stop for constant measuring force.



Specifications

Metric						
Code No.	Range	Graduation	Interchangeable anvils	Setting standard	Micrometer head stroke	
104-139A	0 - 100 mm	0.01 mm	4 pcs.	3 pcs.	25 mm	
104-135A	0 - 150 mm		6 pcs.	5 pcs.		
104-161A	50 - 150 mm		4 pcs.	4 pcs.		
104-140A	100 - 200 mm		6 pcs.	6 pcs.		
104-136A	150 - 300 mm		4 pcs.	4 pcs.		
104-141A	200 - 300 mm		6 pcs.	6 pcs.		
104-142A	300 - 400 mm		4 pcs.	4 pcs.		
104-143A	400 - 500 mm		6 pcs.	6 pcs.		
104-144A	500 - 600 mm		4 pcs.	4 pcs.		
104-145A	600 - 700 mm		6 pcs.	6 pcs.		
104-146A	700 - 800 mm		4 pcs.	4 pcs.		
104-147A	800 - 900 mm		6 pcs.	6 pcs.		
104-148A	900 - 1000 mm		4 pcs.	4 pcs.		

Inch						
Code No.	Range	Graduation	Interchangeable anvils	Setting standard	Micrometer head stroke	
104-149	0 - 4"	.001"	4 pcs.	3 pcs.	1"	
104-137	0 - 6"		6 pcs.	5 pcs.		
104-162	2 - 6"		4 pcs.	4 pcs.		
104-150	4 - 8"		6 pcs.	6 pcs.		
104-138	6 - 12"		4 pcs.	4 pcs.		
104-151	8 - 12"		6 pcs.	6 pcs.		
104-152	12 - 16"		4 pcs.	4 pcs.		
104-201	12 - 18"		6 pcs.	6 pcs.		
104-153	16 - 20"		4 pcs.	4 pcs.		
104-202	18 - 24"		6 pcs.	6 pcs.		
104-154	20 - 24"		4 pcs.	4 pcs.		
104-155	24 - 28"		6 pcs.	6 pcs.		
104-203	24 - 30"		4 pcs.	4 pcs.		
104-156	28 - 32"		6 pcs.	6 pcs.		
104-204	30 - 36"		4 pcs.	4 pcs.		
104-157	32 - 36"		6 pcs.	6 pcs.		
104-158	36 - 40"		4 pcs.	4 pcs.		
104-205	36 - 42"		6 pcs.	6 pcs.		

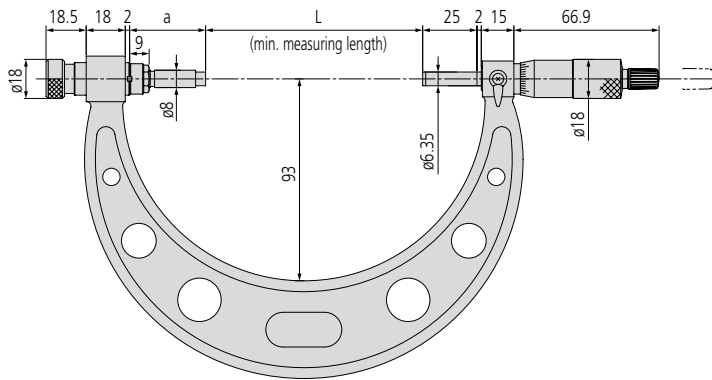
Micrometers

SERIES 340, 104 – Interchangeable Anvil Micrometer

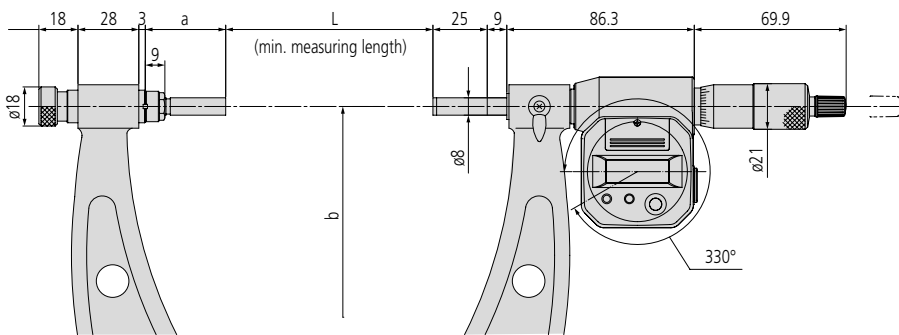
Dimensions

Unit: mm

104-135A



Models from 400 to 1000 mm measuring range



Interchangeable anvils

		L : range (mm)					
Range	0 to 150 mm models	0 - 25	25 - 50	50 - 75	75 - 100	100 - 125	125 - 150
	150 to 300 mm models	150 - 175	175 - 200	200 - 225	225 - 250	250 - 275	275 - 300
	Code No.	303950	303951	303952	303953	303954	303955
	a: overall length (mm)	135	110	85	60	35	10
	Interchangeable anvil	M1	M2	M3	M4	M5	M6

		L : range (mm)				b
Range	300 to 400 mm models	300 - 325	325 - 350	350 - 375	375 - 400	224
	400 to 500 mm models	400 - 425	425 - 450	450 - 475	475 - 500	273
	500 to 600 mm models	500 - 525	525 - 550	550 - 575	575 - 600	332
	600 to 700 mm models	600 - 625	625 - 650	650 - 675	675 - 700	382
	700 to 800 mm models	700 - 725	725 - 750	750 - 775	775 - 800	430
	800 to 900 mm models	800 - 825	825 - 850	850 - 875	875 - 900	480
	900 to 1000 mm models	900 - 925	925 - 950	950 - 975	975 - 1000	530
	Code No.	304001	304002	304003	304004	
	a: overall length (mm)	87	62	37	12	
	Interchangeable anvil	M3	M4	M5	M6	