

Ultralift LM Lifting Magnet

Manually operated general purpose lifter

Datasheet no. 302

Excellent performance to weight ratio achieved by using high-energy neodymium magnets arranged in an efficient magnetic circuit Superb holding force for a safe, reliable lift.

Locking switch on clamping mechanism prevents accidental switching.

Suitable for

Ferrous sheet/plate thicknesses greater than 20mm maximum weight of 3000kg

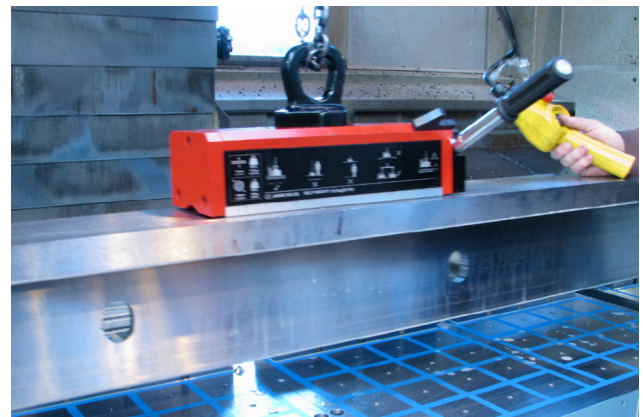
Ferrous round bar up to 600mm diameter maximum weight of 800kg

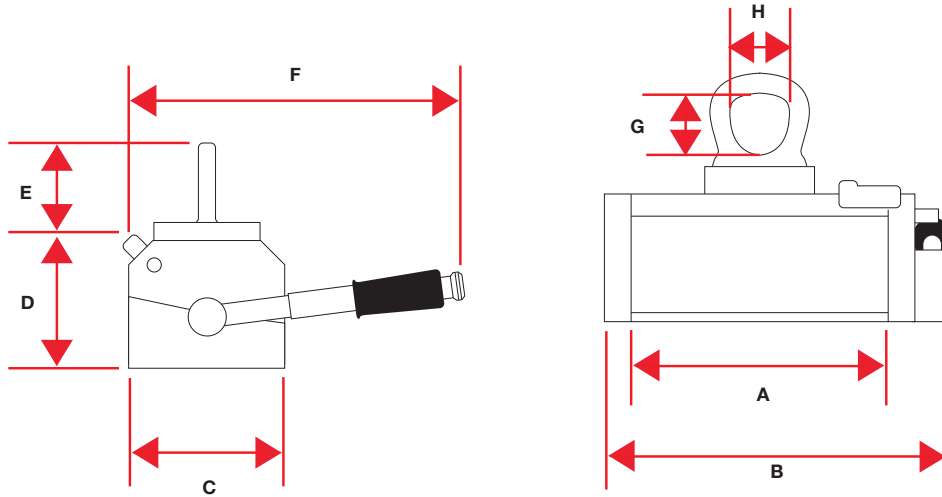
Suitable locations

Machine shops, fabrication shops, steel stockholders, manufacturers

Benefits

- Easy to install
- Simple one man operation
- No power required
- Load surface not marked
- High performance magnet material providing high performance at a lower weight
- Save space as access is only needed to the top of the load
- Handle locking mechanism ensures safe lifting





| Product | Unit Weight kg | Flat Section | | | Round Section | | | Dimensions mm | | | | | | | |
|---------|-------------------|--------------|-------------------------|----------------------|---------------|------------------------|------------------------|------------------|-----|-----|-----|-----|-----|----|----|
| | | SWL* kg | Thickness Min. mm | Length Max. mm | SWL* kg | Diameter Max. mm | Length** Max. mm | A | B | C | D | E | F | G | H |
| LM0125 | 4.5 | 125 | 20 | 1500 | 50 | 250 | 1500 | 110 | 146 | 76 | 62 | 54 | 150 | 30 | 27 |
| LM0250 | 8.5 | 250 | 25 | 1500 | 100 | 300 | 1500 | 165 | 205 | 90 | 72 | 78 | 200 | 45 | 40 |
| LM0500 | 17.5 | 500 | 30 | 2000 | 200 | 400 | 2000 | 225 | 275 | 106 | 88 | 103 | 243 | 53 | 48 |
| LM1000 | 36.5 | 1000 | 45 | 3000 | 400 | 450 | 3000 | 325 | 383 | 136 | 103 | 113 | 365 | 59 | 52 |
| LM2000 | 79 | 2000 | 55 | 3000 | 800 | 600 | 3000 | 400 | 470 | 186 | 132 | 170 | 526 | 88 | 79 |

*Safe working load

△ ** The maximum stated length is not at the maximum diameter (Always work within stated SWL)

Performance

SWL performance criteria

Flat ground mild steel plate of thickness, equal to or greater than the specified minimum thickness

Magnetic material

Rare earth neodymium iron boron

Temperature

-10°C (14°F) / +80°C (176°F)

Maximum humidity

80%

Materials

End plates

Aluminium - painted

Housing

Mild steel

Pole feet

Mild steel - plated

Conformity

The Ultralift Plus range conforms to the following:

Machinery Directive 98/37/CE

BS EN ISO12100-1 Basic Engineering Principles

BS EN 13155:2003 Cranes safety: non-fixed load lifting attachments

SS7665601 Swedish standards for magnetic lifting devices

ASME B30.20

If you have any more questions, require technical assistance and would like a quotation, contact us.

www.eclipsemagnetics.com

Eclipse Magnetics Ltd, Atlas Way, Sheffield, S4 7QQ, England

T +44 (0)114 225 0600 F +44 (0)114 225 0525 E info@eclipsemagnetics.com W www.eclipsemagnetics.com

While every effort has been made to ensure the accuracy of the information in this publication please note that specifications may change without notice.



FM31278



Innovative Magnetic Solutions



A Spear & Jackson Company