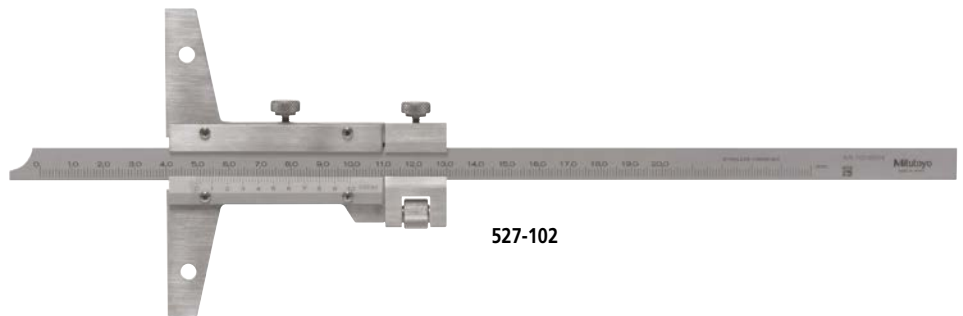
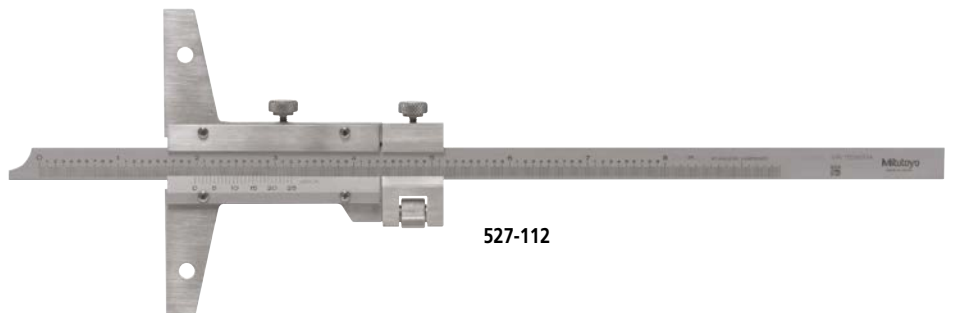


SERIES 527 – Vernier Depth Gauge

- Standard gauge for depth measurement.
- Optional longer extension bases are available (except for models with measuring ranges of 600 and 1000 mm).



527-102



527-112

Specifications

Metric					
Code No.	Range	Graduation	Accuracy	Base (W x T)	Remarks
527-101	0 - 150 mm	0.02 mm	±0.05 mm	100 x 6.5 mm	With fine adjustment
527-102	0 - 200 mm		±0.08 mm		
527-103	0 - 300 mm		±0.10 mm		
527-104	0 - 600 mm		±0.15 mm	250 x 10 mm	
527-105	0 - 1000 mm		±0.15 mm		
Inch					
Code No.	Range	Graduation	Accuracy	Base (W x T)	Remarks
527-111	0 - 6"	.001"	±.001"	3.93 x .25"	With fine adjustment
527-112	0 - 8"		±.0015"		
527-113	0 - 12"		±.002"		
527-114	0 - 24"		±.003"	9.8 x .39"	
527-115	0 - 40"		±.003"		

Dimensions

