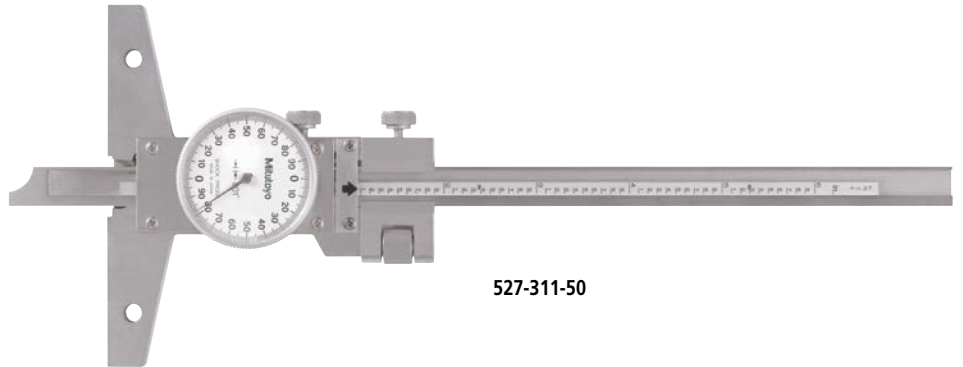


SERIES 527 – Dial Fine Adjustment Depth Gauge

- Easy-to-read dial caliper with rack and pinion magnification mechanism.
- Optional longer extension bases are available.



527-311-50

Specifications

Metric				
Code No.	Range	Dial graduation	Accuracy	Base
527-301-50	0 - 150 mm	0.05 mm	±0.05 mm	100 x 6.5 mm

Inch				
Code No.	Range	Dial graduation	Accuracy	Base
527-311-50	0 - 6"	.001"	±.001"	100 x 6.5 mm
527-312-50	0 - 8"		±.0015"	
527-313-50	0 - 12"		±.0015"	

Dimensions

