

Technical Data

Stroke:	12.7 mm / .5"
Measuring force:	1.5 N
Base flatness:	5 μ m / .0002" (2 μ m / .00008" : 543-392B)
Base thickness:	16 mm / .63"
Contact point:	Carbide-tipped ball point
Max. response speed:	Unlimited
Battery:	SR44 (1 pc.), 938882
Battery life:	Approx. 7000 hours under normal use

Optional Accessories

Code No.	Description
905338	SPC data cable (1 m)
905409	SPC data cable (2 m)
02AZD790F	U-WAVE-T data cable (160 mm)
02AZE140F	U-WAVE-T data cable with footswitch (160/500 mm)

SERIES 547 – ABSOLUTE Digimatic Depth Gauge

- Easy-to-read dial effectively prevents misreading.
- Allows integration into statistical process control and measurement systems for models with a measurement data output connector.

MeasurLink ENABLED **ABSOLUTE**
Data Management Software by Mitutoyo



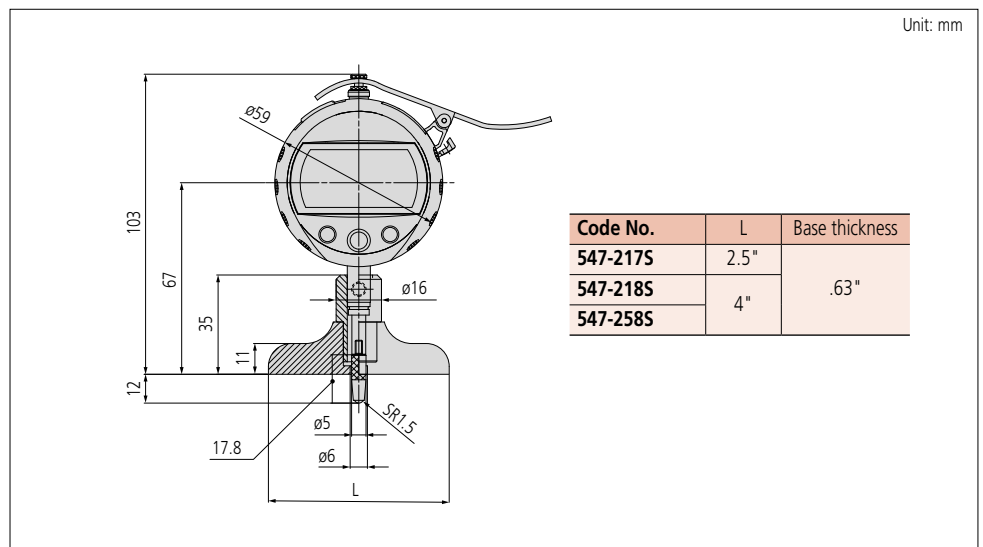
Specifications

Inch/Metric					
Code No.	Range	Resolution	Accuracy* ¹	Extension rod	Indicator
547-217S	0-200 mm / 0-8"	0.01 mm / .0005"	$\pm 20 \mu\text{m} / \pm .001 \text{ "}$	4 pcs. (.5", 1", 2", 4")	543-402B ^{*2}
547-218S		0.001 mm / .00005"	$\pm 5 \mu\text{m} / \pm .0002 \text{ "}$		543-392B

*1 Excluding quantizing error.

*2 The measuring force of this indicator is different from that of the standard 543-402B.

Dimensions



Caution should be used when exchanging the contact point of a depth gauge

The measurement range may not be maintained when mounting a differently sized contact point than the standard accessory. Zero-setting will not be possible if the contact-point diameter is too large for the plunger hole in the bottom face of the base. Parallelism adjustment with the bottom face of the base is required when mounting a flat contact point such as the flat/needle or carbide-tipped contact point.