

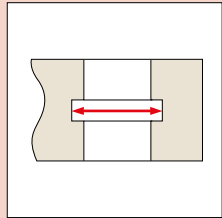
## Technical Data for 573 series

Dust/water protection level:	IP67*1
Scale type:	ABSOLUTE electromagnetic induction linear encoder
Max. response speed:	Unlimited
Battery:	SR44 (1 pc.), <b>938882</b>
Battery life:	Approx. 5 years under normal use (1 year for models over 300 mm)

\*1 Rustproofing treatment to be applied after use.

## Optional Accessories for 573 series

Code No.	Description
<b>264-620</b>	U-WAVE-TC transmission unit
<b>02AZF310</b>	U-WAVE-TC connection unit
<b>05CZA624</b>	SPC data cable with pushbutton (1 m)
<b>05CZA625</b>	SPC data cable with pushbutton (2 m)
<b>06AFM380A</b>	USB input tool direct USB-ITN-C (2 m)



Application example.

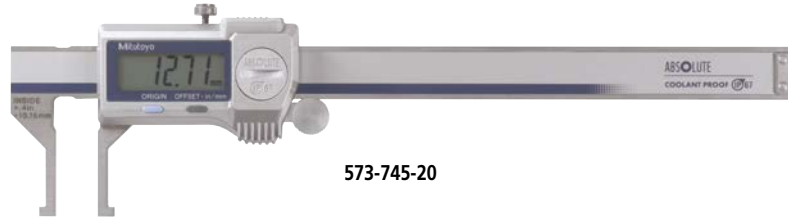
## SERIES 573, 536 – Inside Groove Caliper

- Specially designed for inside measurements in hard-to-reach places.
- Digimatic models feature Mitutoyo's ABSOLUTE system with IP67 ingress protection. No need to reset the origin after switching on.
- Digimatic models enable integration into statistical process control and measurement systems.

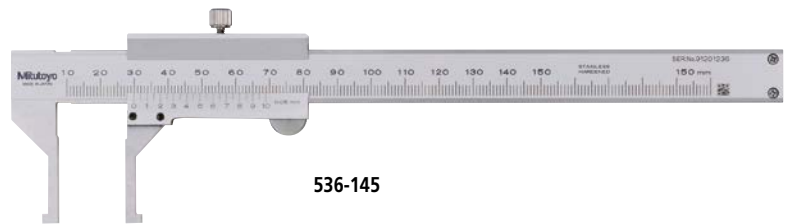
**MeasurLink** ENABLED  
Data Management Software by Mitutoyo

**ABSOLUTE**

**IP67**



573-745-20



536-145

## Specifications

### Inch/Metric

Code No.	Range	Resolution	Accuracy*2	Min. measurable hole
<b>ABSOLUTE Digimatic type</b>				
<b>573-745-20</b> *3	10 - 160 mm (.4 - 6")	0.01 mm (.0005")	±0.05 mm (±.002")	ø10 mm (ø.4")

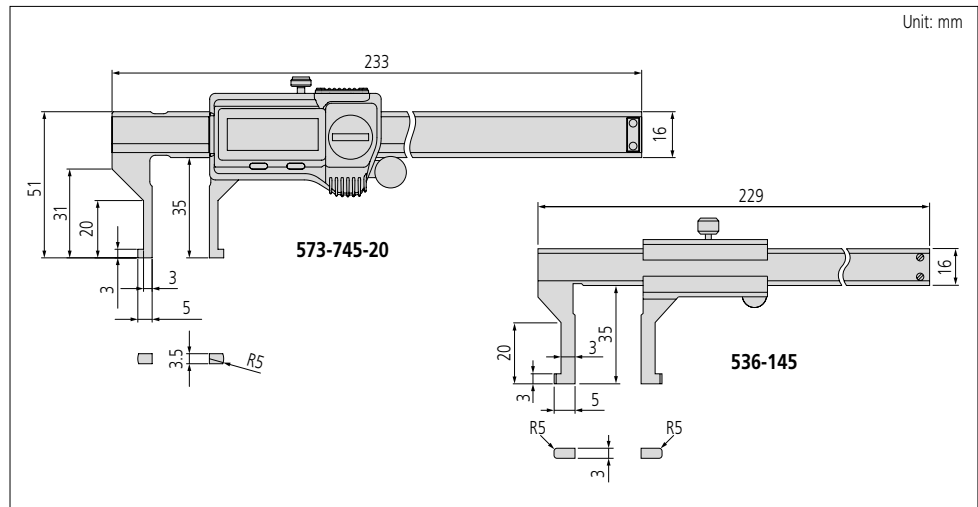
### Metric

Code No.	Range	Graduation	Accuracy	Min. measurable hole
<b>Vernier type</b>				
<b>536-145</b>	10 - 150 mm	0.05 mm	±0.05 mm	ø10 mm

\*2 Excluding quantizing error.

\*3 Equipped with the offsetting function, which indicates the actual measurement value.

## Dimensions



Unit: mm