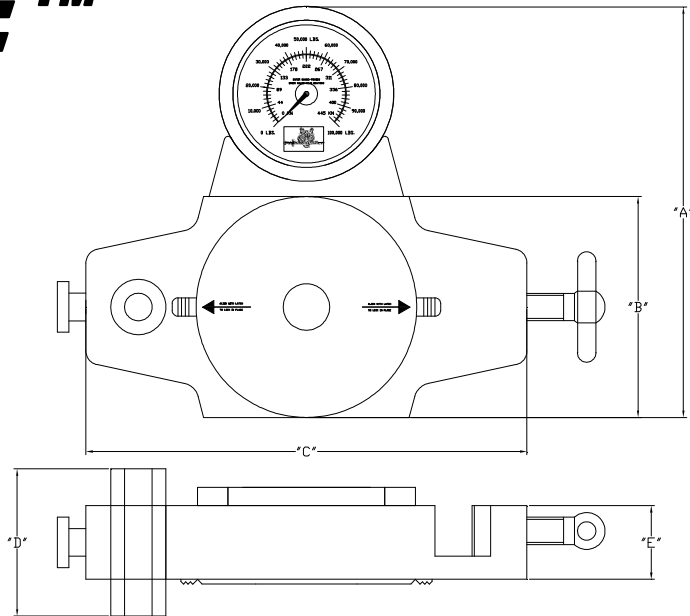
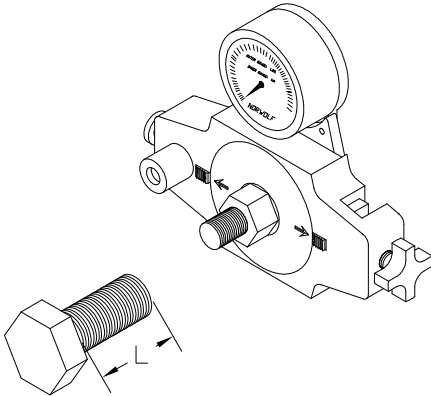




**Norwolf Tool Works, Inc.**

AUTHORISED  
DISTRIBUTOR - GTS

# CALIBORE™



| REQUIRED MINIMUM BOLT LENGTH |               |          |
|------------------------------|---------------|----------|
| CBT 100                      | BOLT DIAMETER | CBT 125  |
| 1-5/8" L                     | 5/8"          | 1-5/8" L |
| 1-3/4" L                     | 3/4"          | 1-3/4" L |
| 1-7/8" L                     | 7/8"          | 1-7/8" L |
| 2" L                         | 1"            | 3" L     |
| 3-1/8" L                     | 1-1/8"        | 3-1/8" L |
| 3-1/4" L                     | 1-1/4"        | 3-1/4" L |
| CBT 200                      | BOLT DIAMETER | CBT 250  |
| 3-1/8" L                     | 1-3/8"        | 3-3/4" L |
| 3-1/4" L                     | 1-5/8"        | 3-7/8" L |
| 3-3/8" L                     | 1-1/2"        | 4" L     |
| 3-1/2" L                     | 1-3/4"        | 4-1/8" L |
| 4-3/8" L                     | 1-7/8"        | 4-3/8" L |
| 4-1/2" L                     | 2"            | 4-1/2" L |

| CALIBORE<br>BOLT CALIBRATOR |        |     |        |     |      |            |
|-----------------------------|--------|-----|--------|-----|------|------------|
| MODEL                       | "A"    | "B" | "C"    | "D" | "E"  | WEIGHT*    |
| CBT - 100                   | 11.15" | 6"  | 12"    | 4"  | 2"   | 17.50 lbs. |
| CBT - 125                   | 11.15" | 6"  | 12"    | 4"  | 2"   | 17.50 lbs. |
| CBT - 200                   | 13.13" | 8"  | 14.20" | 5"  | 2.5" | 30 lbs.    |
| CBT - 250                   | 13.13" | 8"  | 14.20" | 5"  | 2.5" | 30 lbs.    |

\* Weight is basic unit - does not include front plate or rear bushing.  
Larger units available upon request.

| CBT-100                | DESCRIPTION   |                              |                | CBT-125                |
|------------------------|---|------------------------------|----------------|------------------------|
| CBT-100                | BASIC UNIT for bolts ranging in size from 1/2" to 1-1/4"                    |                              |                | CBT-125                |
| CBT-100-K4             | BASIC UNIT with (4) PLATE SET SIZES: 7/8", 1" 1-1/8" and 1-1/4"             |                              |                | CBT-125-K4             |
| CBT-100-K6             | BASIC UNIT with (6) PLATE SET SIZES: 5/8", 3/4", 7/8", 1" 1-1/8" and 1-1/4" |                              |                | CBT-125-K6             |
|                        | STANDARD HEX SIZE   | BOLT DIAMETER                | HEAVY HEX SIZE |                        |
| CBT-100-PS-062-(H) (S) | 15/16"  | 5/8" Plate and Hex Bushing   | 1-1/16"        | CBT-125-PS-062-(H) (S) |
| CBT-100-PS-075-(H) (S) | 1-1/8"  | 3/4" Plate and Hex Bushing   | 1-1/4"         | CBT-125-PS-075-(H) (S) |
| CBT-100-PS-087-(H) (S) | 1-5/16"   | 7/8" Plate and Hex Bushing   | 1-7/16"        | CBT-125-PS-087-(H) (S) |
| CBT-100-PS-100-(H) (S) | 1-1/2"  | 1" Plate and Hex Bushing     | 1-5/8"         | CBT-125-PS-100-(H) (S) |
| CBT-100-PS-112-(H) (S) | 1-11/16"  | 1-1/8" Plate and Hex Bushing | 1-13/16"       | CBT-125-PS-112-(H) (S) |
| CBT-100-PS-125-(H) (S) | 1-7/8"  | 1-1/4" Plate and Hex Bushing | 2"             | CBT-125-PS-125-(H) (S) |

| CBT-200                | DESCRIPTION  |                              |                | CBT-250                |
|------------------------|--|------------------------------|----------------|------------------------|
| CBT-200                | BASIC UNIT for bolts ranging in size from 1-3/8" to 2" |                              |                | CBT-250                |
|                        | STANDARD HEX SIZE                                      | BOLT DIAMETER                | HEAVY HEX SIZE |                        |
| CBT-200-PS-137-(H) (S) | 2-1/16"  | 1-3/8" Plate and Hex Bushing | 2-3/16"        | CBT-250-PS-137-(H) (S) |
| CBT-200-PS-150-(H) (S) | 2-1/4"   | 1-1/2" Plate and Hex Bushing | 2-3/8"         | CBT-250-PS-150-(H) (S) |
| CBT-200-PS-162-(H) (S) | 2-7/16"  | 1-5/8" Plate and Hex Bushing | 2-9/16"        | CBT-250-PS-162-(H) (S) |
| CBT-200-PS-175-(H) (S) | 2-5/8"   | 1-3/4" Plate and Hex Bushing | 2-3/4"         | CBT-250-PS-175-(H) (S) |
| CBT-200-PS-187-(H) (S) | 2-13/16"   | 1-7/8" Plate and Hex Bushing | 2-15/16"       | CBT-250-PS-187-(H) (S) |
| CBT-200-PS-200-(H) (S) | 3"   | 2" Plate and Hex Bushing     | 3-1/8"         | CBT-250-PS-200-(H) (S) |