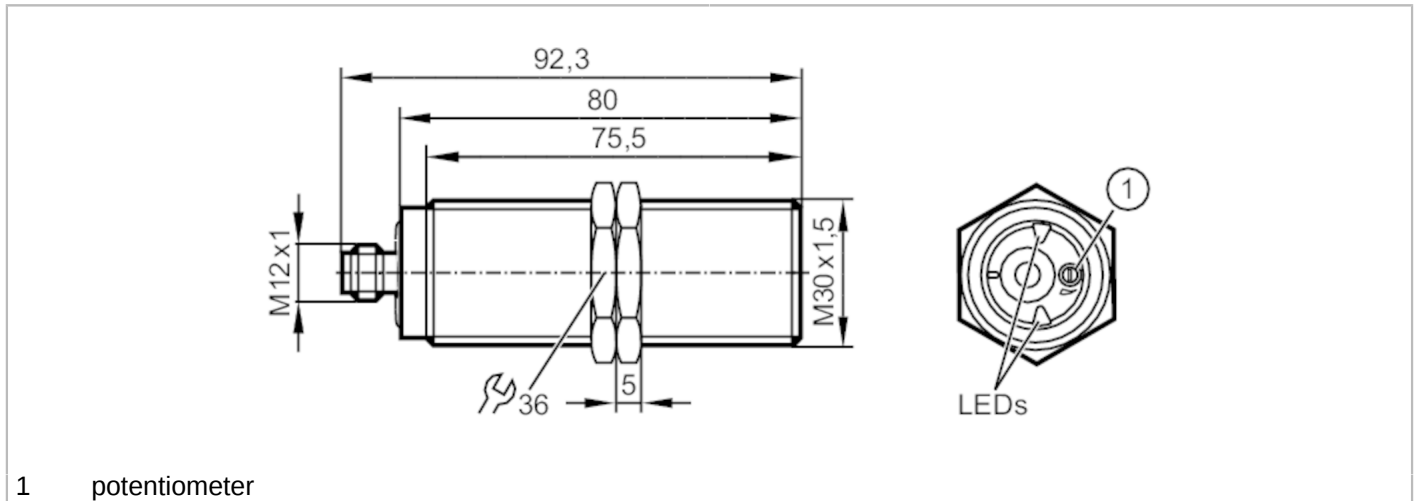


# DI5023



## Compact evaluation unit for speed monitoring

DIA3010-ZPKG/US



1 potentiometer




Application	
Application	simple evaluation of rotating and linear movement with regard to underspeed; blocking
Electrical data	
Nominal voltage DC [V]	10...36
Current consumption [mA]	< 20
Protection class	III
Reverse polarity protection	yes
Outputs	
Total number of outputs	1
Electrical design	PNP
Output function	normally open
Max. voltage drop switching output DC [V]	2.5
Permanent current rating of switching output DC [mA]	250
Short-time current rating of switching output [mA]	250
Short-circuit proof	yes
Overload protection	yes
Detection zone	
Sensing range [mm]	10
Sensing range adjustable	no
Operating distance [mm]	0...8.1
Measuring/setting range	
Setting range [Imp/min]	5...3600
Accuracy / deviations	
Correction factor	steel: 1 / stainless steel: 0.7 / brass: 0.5 / aluminium: 0.4 / copper: 0.3
Hysteresis [% of Sr]	10

# DI5023



## Compact evaluation unit for speed monitoring

DIA3010-ZPKG/US

Response times		
Start-up delay [s]		15
Max. damping frequency [Imp/min]		18000
Software / programming		
Adjustment of the switch point		multiturn potentiometer
Operating conditions		
Ambient temperature [°C]		-25...80
Protection		IP 65; IP 67
Tests / approvals		
EMC	EN 60947-5-2	
Shock resistance	DIN EN 60947-5-2	
Vibration resistance	DIN EN 60947-5-2	
MTTF [years]		3262
Mechanical data		
Weight [g]		252
Housing		threaded type
Mounting		flush mountable
Dimensions [mm]		M30 x 1.5 / L = 92.3
Thread designation		M30 x 1.5
Materials		brass special coating; PA; stainless steel; TPE-U
Displays / operating elements		
Display	switching status	1 x LED, green
Accessories		
Accessories (supplied)		lock nuts: 2
Electrical connection		
Connector: 1 x M12		
		

# DI5023



## Compact evaluation unit for speed monitoring

DIA3010-ZPKG/US

### Connection

