

Micrometers

SERIES 395,115 – Tube Micrometers

- Designed to measure workpieces with concave-convex surfaces such as the wall thickness of tubes and pipes.
- Measuring faces: carbide (115-101: only the spindle is carbide tipped).
- 395 series: IP65 digital spherical-flat anvil type micrometer.
- Equipped with Ratchet Stop for constant measuring force.

MeasurLink ENABLED
Data Management Software by Mitutoyo

IP 65

TÜV Rheinland
CERTIFIED
www.tuv.com
ID: 0000040191

B



395-351-30



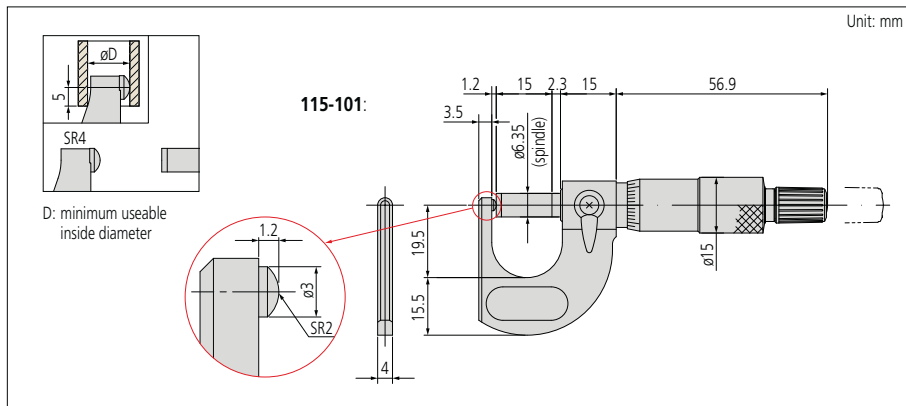
115-115

Specifications

Inch/Metric					
Code No.	Range	Resolution	Accuracy*	D	
Digimatic					
395-351-30	0 - 1" (0 - 25.4 mm)	.00005" (0.001 mm)	±.0001" (±2 μm)	ø.59" (ø15 mm)	
395-352-30	1 - 2" (25.4 - 50.8 mm)			ø.75" (ø19 mm)	
395-353-30	2 - 3" (50.8 - 76.2 mm)				
395-354-30	3 - 4" (76.2 - 101.6 mm)			±.00015" (±3 μm)	
Metric					
Code No.	Range	Graduation	Accuracy	D	
115-101	0 - 15 mm	0.01 mm	±3 μm	ø5.5 mm	
115-115	0 - 25 mm			ø10 mm	
115-116	25 - 50 mm			ø11 mm	
115-117	50 - 75 mm			ø17 mm	
115-118	75 - 100 mm			ø18 mm	
Inch					
Code No.	Range	Graduation	Accuracy	D	
115-153	0 - 1"	.0001"	±.00015"	ø.40"	

* Excluding quantizing error.

Dimensions



Technical Data

Flatness:	.000024" / 0.6 μm: 115 series
	.000012" (0.3 μm): 395 series
Battery:	SR44 (1 pc), 938882 : 395 series

Optional Accessories (for 395 series only)

Code No.	Description
264-622	U-WAVE-TM transmitter
02AZF310	U-WAVE-TM connection unit
05CZA662	SPC data cable with pushbutton (1 m)
05CZA663	SPC data cable with pushbutton (2 m)
06AFM380B	USB input tool direct USB-ITN-B (2 m)

