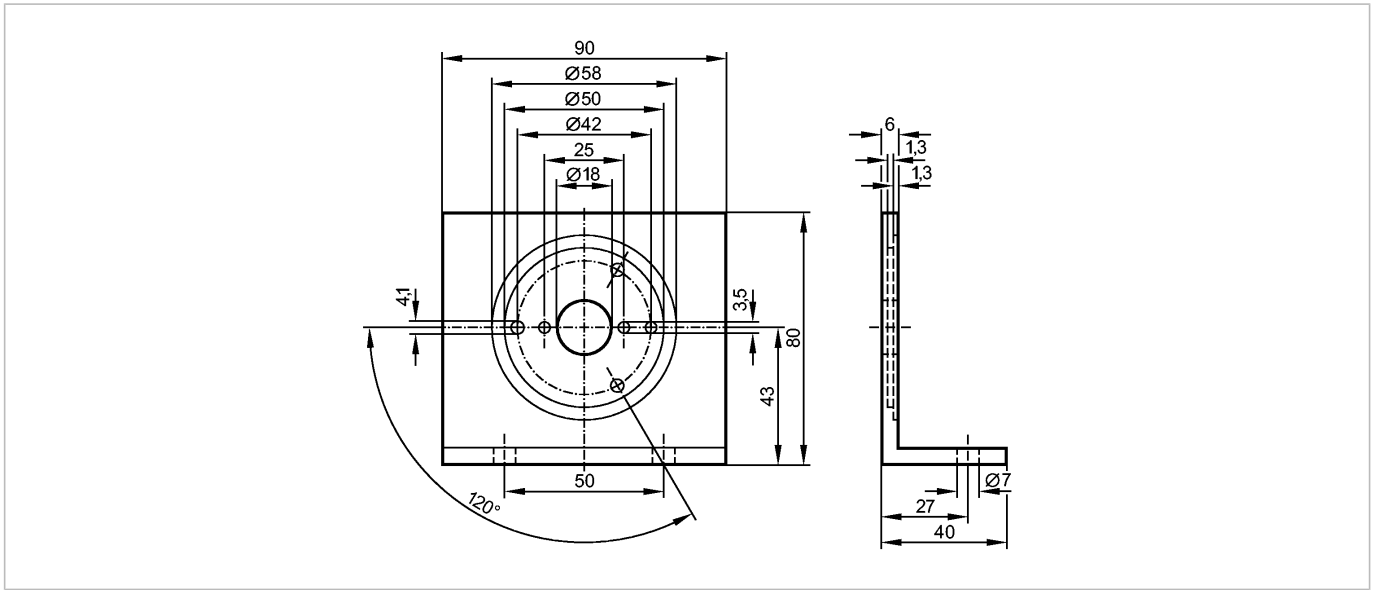


E60033

ANGLE BRACKET ENCODERS

Accessories



Product characteristics

Angle bracket

Mechanical data

Design for encoders for types RB, RC, RM, RN, RU

Housing materials aluminium black anodised

Weight [kg] 0.153

Remarks

Pack quantity [piece] 1