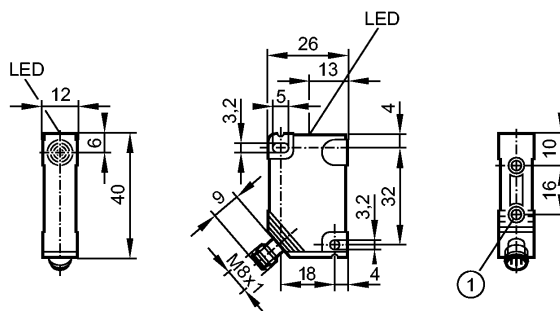


IN5230

IN-3002-BPKG/AS-610-T

Inductive sensors



1: threaded insert M3, depth 5.8 mm, max. tightening torque 1.2 Nm (screw fixing class 8.8) when brass insert in contact with counterpart.

Made in Germany



Product characteristics

Inductive sensor

Rectangular, plastics

Connector

Sensing range 2 mm; [f] flush mountable

Electrical data

Electrical design		DC PNP
Operating voltage	[V]	10...36 DC
Current consumption	[mA]	< 15 (24 V)
Protection class		III
Reverse polarity protection		yes

Outputs

Output function		normally open
Voltage drop	[V]	< 2.5
Current rating	[mA]	250
Short-circuit protection		pulsed
Overload protection		yes
Switching frequency	[Hz]	1400

Range

Sensing range	[mm]	2
Real sensing range (Sr)	[mm]	2 ± 10 %
Operating distance	[mm]	0...1.6

Accuracy / deviations

Correction factors		mild steel = 1 / stainless steel approx. 0.7 / brass approx. 0.4 / Al approx. 0.3 / Cu approx. 0.2
Hysteresis	[% of Sr]	1...15
Switch-point drift	[% of Sr]	-10...10

Environment

Ambient temperature	[°C]	-20...80
Protection		IP 67

Tests / approvals

EMC		EN 60947-5-2 EN 55011: class B
MTTF	[Years]	2577

IN5230

IN-3002-BPKG/AS-610-T

Inductive sensors

Mechanical data

Mounting	flush mountable
Housing materials	PBT
Weight [kg]	0.019

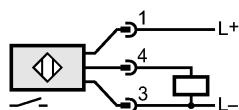
Displays / operating elements

Output status indication	LED	yellow
--------------------------	-----	--------

Electrical connection

Connection	M8 connector
------------	--------------

Wiring



Remarks

Pack quantity	[piece]	1
---------------	---------	---