

Sensors for pH Measurement



SE 560 pH Sensor

Refillable liquid electrolyte sensor for low-conductivity media or low temperatures
(with electrolyte vessel)

Precise measurements due to self-cleaning junctions allowing a high outflow of electrolyte. For media of very low conductivity. Measurement at low temperatures possible thanks to a special low-impedance glass.

Applications

Ultrapure water, drinking water, boiler feed water in power plants

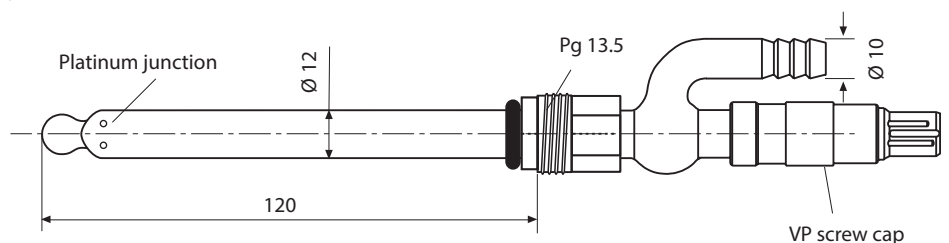
Facts

- Perfect galvanic isolation thanks to Memosens technology
- No influence of humidity in the connector
- Precalibration in the shop or lab
- Digital data transfer
- Integrated sensor diagnostics
- Precise measurement under difficult conditions (low conductivity, contaminations)
- Integrated temperature detector
- Measurement at low temperatures
- Platinum junctions
- Memosens or VP screw cap

Specifications

pH:	0 ... 14
Temperature:	-4 ... 176 °F (-20 ... 80 °C)
Pressure:	Unpressurized
Temperature detector:	NTC 30 kohms, PT 1000
Sensor material:	Low-impedance standard pH glass, fast response
Reference system:	Liquid electrolyte, refillable, Ag/AgCl system
Junction:	Platinum
Immersion depth:	120, 225 mm
Sensor cap:	Memosens or VP (VarioPin)
FM Approvals (US & C)	Cl. 1 Div. 1, GP ABCD T3/T4/T6 (Memosens Only)

Dimensional Drawing



All dimensions in mm

Product Range		Order No.
SE 560 pH sensor	Memosens	Length 120 mm SE 560X/1-NMSN
SE 560 pH sensor	Vario Pin	Length 120 mm SE 560X/1-NVPN
Accessories		Order No.
Memosens cable	3 m	CA/MS-003NAA
	5 m	CA/MS-005NAA
	10 m	CA/MS-010NAA
	20 m*)	CA/MS-020NAA
Memosens cable, Ex	3 m	CA/MS-003XAA
	5 m	CA/MS-005XAA
	10 m	CA/MS-010XAA
	20 m*)	CA/MS-020XAA
VP6-ST cable	3 m	ZU 0313
	5 m	ZU 0314
	10 m	ZU 0315
	20 m	ZU 0584
Buffer Solutions (20° C)		Quantity
pH value 2.00 ± 0.02	250 ml	CS-P0200/250
	250 ml	CS-P0400/250
	1000 ml	CS-P0400/1000
	3000 ml	CS-P0400/3000
pH value 7.00 ± 0.02	250 ml	CS-P0700/250
	1000 ml	CS-P0700/1000
	3000 ml	CS-P0700/3000
pH value 9.00 ± 0.02	250 ml	CS-P0900/250
	1000 ml	CS-P0900/1000
	3000 ml	CS-P0900/3000
pH value 12.00 ± 0.05	250 ml	CS-P1200/250
Electrolyte	250 ml	ZU 0591
Electrolyte reservoir		ZU 0321
Equipotential bonding electrode	Platinum; for monitoring the reference system of the pH sensor or for simultaneous ORP measurement	ZU 0073

*) Greater lengths on request

Sensors for pH Measurement

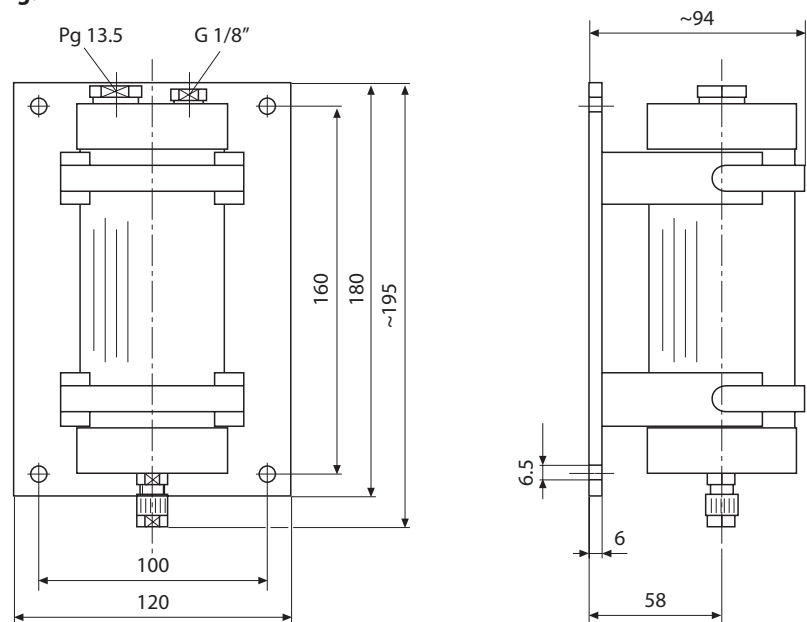
SE 560 pH Sensor

Accessories/Specifications

ZU 0321 electrolyte reservoir

Material:	Hard PVC, transparent
Useful capacity:	300 ml
Pressure:	Unpressurized
Sensor locations:	1 x Pg 13.5 for use as electrolytic key
Hose connection:	Coupling for 4/6 x 1 mm hose (5 m PVC hose 4/6 x 1 and adapter for 10 mm hose clip, included in shipment)
Refill:	G 1/8" hole with screw plug
Assembly:	Wall holder

Dimensional drawing:



All dimensions in mm