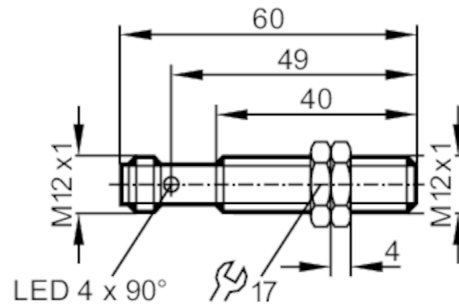


MFS211



Full-metal magnetic sensor

MFK3060-BPKG/AM/G/US



Product characteristics

| | | |
|-------------------|------|--------------------------------|
| Electrical design | | PNP |
| Output function | | normally open |
| Sensing range | [mm] | 60; (referred to magnet M 4.0) |
| Housing | | threaded type |
| Dimensions | [mm] | M12 x 1 / L = 60 |

Application

| | | |
|-----------------|-------|-----|
| Pressure rating | [bar] | 100 |
|-----------------|-------|-----|

Electrical data

| | | |
|-----------------------------|------|------------|
| Operating voltage | [V] | 10...30 DC |
| Current consumption | [mA] | < 10 |
| Protection class | | III |
| Reverse polarity protection | | yes |

Outputs

| | | |
|---|------|---------------|
| Electrical design | | PNP |
| Output function | | normally open |
| Max. voltage drop switching output DC | [V] | 2.5 |
| Permanent current rating of switching output DC | [mA] | 200 |
| Switching frequency DC | [Hz] | 5000 |
| Short-circuit protection | | yes |
| Overload protection | | yes |

Detection zone

| | | |
|----------------------|------|--------------------------------|
| Sensing range | [mm] | 60; (referred to magnet M 4.0) |
| Response sensitivity | [mT] | 1.3 |

Accuracy / deviations

| | | |
|------------|-----------|--------|
| Hysteresis | [% of Sr] | 1...10 |
|------------|-----------|--------|

Operating conditions


| | | |
|---------------------|------|--------------|
| Ambient temperature | [°C] | -25...75 |
| Protection | | IP 65; IP 67 |

MFS211



Full-metal magnetic sensor

MFK3060-BPKG/AM/G/US

| Tests / approvals | | |
|---|---------------------------|--|
| EMC | EN 61000-4-2 ESD | 4 kV CD / 8 kV AD |
| | EN 61000-4-3 HF radiated | 10 V/m |
| | EN 61000-4-4 Burst | 2 kV |
| | EN 61000-4-5 Surge | 0,5 kV line to line, Ri: 2 Ohm |
| | EN 61000-4-6 HF conducted | 10 V |
| | EN 55011 emission | class B |
| | DIN ISO 11452-2 | 100 V/m |
| MTTF | [years] | 1401 |
| Mechanical data | | |
| Weight | [g] | 28.1 |
| Housing | | threaded type |
| Dimensions | [mm] | M12 x 1 / L = 60 |
| Thread designation | | M12 x 1 |
| Materials | | housing: stainless steel (1.4404 / 316L); sensing face: stainless steel (1.4404 / 316L); plug: PA; lock nuts: brass |
| Full-metal housing | | yes |
| Displays / operating elements | | |
| Display | switching status | 4 x 90° LED, yellow |
| Accessories | | |
| Accessories (supplied) | | lock nuts: 2 |
| Remarks | | |
| Pack quantity | | 1 pcs. |
| Electrical connection - plug | | |
| Connector: 1 x M12; Contacts: gold-plated | | |
|  | | |

MFS211

Full-metal magnetic sensor

MFK3060-BPKG/AM/G/US



Connection

