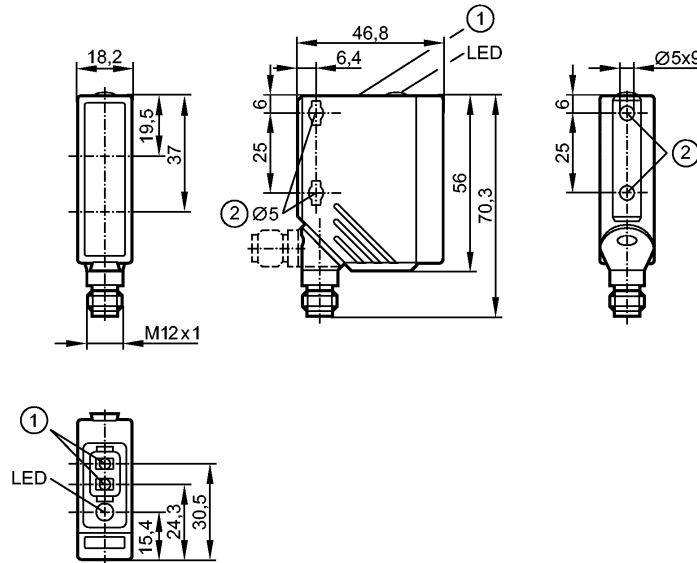


O5P500

O5P-FPKG/US100

Photoelectric sensors



- 1: Programming buttons
- 2: When a M5 mounting screw is used, the max. tightening torque is 2 Nm.

Receiver in upper lens, transmitter in lower lens



Made in Germany

Product characteristics

Retro-reflective sensor	
Rectangular, plastics	
Connector	
Polarisation filter	
Teach function	
Electronic lock	
Sensing range 0.075...10m (Prismatic reflector Ø 80 (E20005))	
adjustable	

Electrical data

Electrical design		DC PNP
Operating voltage [V]		10...36 DC
Current consumption [mA]		20
Type of light		Red light 624 nm
Protection class		II
Reverse polarity protection		yes

Outputs

Output function		light-on / dark-on programmable via pushbutton
Voltage drop [V]		< 2.5
Current rating [mA]		200
Short-circuit protection		pulsed
Overload protection		yes
Switching frequency [Hz]		2000

Range

Sensing range [m]		0.075...10 (Prismatic reflector Ø 80 (E20005))	
Range referred to prismatic reflector [m]		Ø 80 mm	0.075...10
		50 x 50 mm	0.075...10

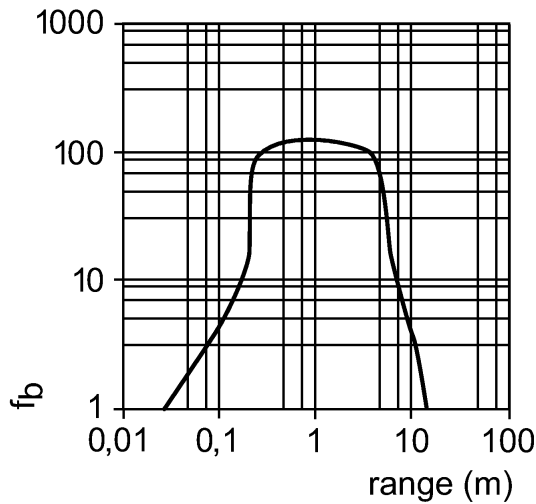
O5P500

O5P-FPKG/US100

Photoelectric sensors

Light spot diameter [mm] 250 (at maximum range)

Excess gain graphs



Environment

Ambient temperature [°C]	-25...60
Protection	IP 67

Tests / approvals

EMC	EN 60947-5-2
MTTF [Years]	435

Mechanical data

Housing materials	housing: PA; bezel: high-grade stainless steel; operator interface: TPU
Lens material	PMMA
Weight [kg]	0.068

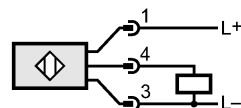
Displays / operating elements

Output status indication LED	yellow
------------------------------	--------

Electrical connection

Connection	M12 connector
------------	---------------

Wiring



Remarks

Remarks	cULus - Class 2 source required
Pack quantity [piece]	1