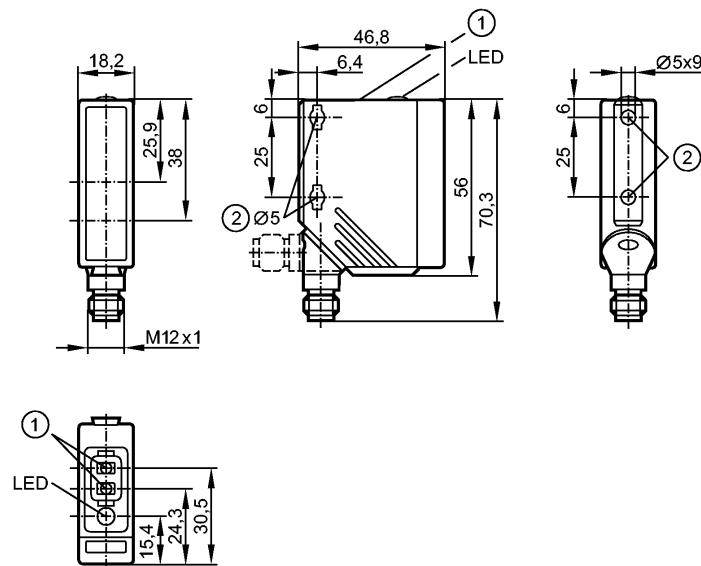


**O5K500**

O5K-FAKG/US100

Photoelectric sensors



- 1: Programming buttons
- 2: When a M5 mounting screw is used, the max. tightening torque is 2 Nm.

Receiver in upper lens, transmitter in lower lens



**Product characteristics**

|                             |
|-----------------------------|
| Diffuse contrast sensor     |
| Rectangular, plastics       |
| Connector                   |
| Automatic detection PNP/NPN |
| Teach function              |
| Electronic lock             |
| Range 18...22mm             |

**Electrical data**

|                             |   |
|-----------------------------|---|
| Electrical design           | DC PNP/NPN  |
| Operating voltage [V]       | 10...36 DC  |
| Current consumption [mA]    | 50 (24 V)   |
| Type of light               | Red light 625 nm; green light 525 nm; blue light 465 nm |
| Protection class            | II  |
| Reverse polarity protection | yes   |

**Outputs**

|                          |                                 |
|--------------------------|---------------------------------|
| Output function          | light-on / dark-on programmable |
| Voltage drop [V]         | < 2.5                           |
| Current rating [mA]      | 200                             |
| Short-circuit protection | pulsed                          |
| Overload protection      | yes                             |
| Switching frequency [Hz] | 10000                           |

**Range**

|                          |                      |
|--------------------------|----------------------|
| Range [mm]               | 18...22              |
| Light spot diameter [mm] | 1.5 x 5 ( vertical ) |

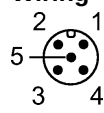
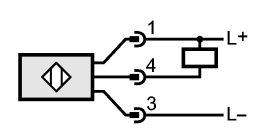
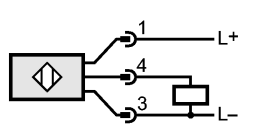
**Reaction times**

|                    |        |
|--------------------|--------|
| Response time [ms] | < 0.05 |
|--------------------|--------|

## O5K500

O5K-FAKG/US100

Photoelectric sensors

| Environment  |  |
|--|--|
| Ambient temperature [°C]   | -25...60   |
| Protection   | IP 67  |
| Tests / approvals  |  |
| EMC  | EN 60947-5-2   |
| MTTF [Years]   | 568  |
| Mechanical data  |  |
| Housing materials  | housing: PA; bezel: high-grade stainless steel; operator interface: TPU/PC |
| Lens material  | window: PMMA   |
| Weight [kg]  | 0.08   |
| Displays / operating elements  |  |
| Output status indication LED   | yellow   |
| Electrical connection  |  |
| Connection   | M12 connector  |
| <b>Wiring</b><br>   |  |
| Remarks  |  |
| Remarks  | cULus - Class 2 source required  |
| Pack quantity [piece]  | 1  |