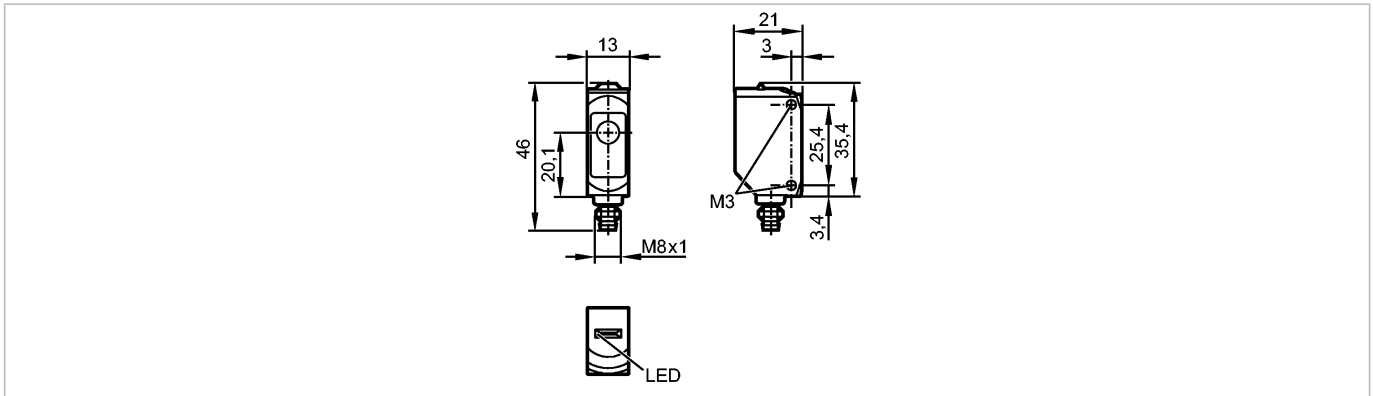


**O6S202**

O6S-OOKG/AS/3P

Photoelectric sensors



**Product characteristics**

Through-beam sensor

Rectangular, plastics

Connector

Transmitter

Sensing range 10m

**Electrical data**

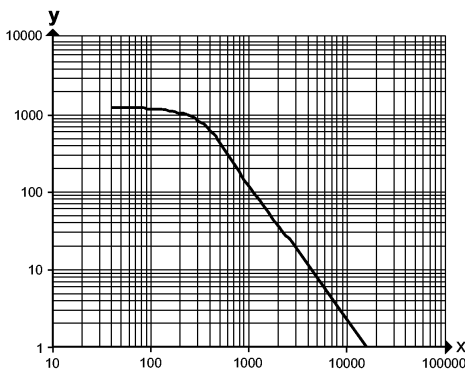
Electrical design		DC
Operating voltage	[V]	10...30 DC
Current consumption	[mA]	11 (24 V)
Type of light		Red light 633 nm
Protection class		III

**Range**

Sensing range	[m]	10
Light spot diameter	[mm]	300 ( at maximum range )

**Excess gain graphs**

x: distance in [mm]  
y: excess gain factor



**Environment**

Ambient temperature	[°C]	-25...60
Protection		IP 65 / IP 67

**Tests / approvals**

EMC		EN 60947-5-2
MTTF	[Years]	2600
UL approval number		E002

**Mechanical data**

**O6S202**

O6S-00KG/AS/3P

**Photoelectric sensors**

Housing materials	housing: ABS; PPSU; connector thread: Brass coated; sealing: EPDM
Lens material	PMMA
Weight [kg]	0.019
Tightening torque [Nm]	0.5

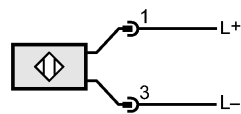
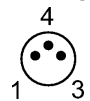
**Displays / operating elements**

Operation	LED	green
-----------	-----	-------

**Electrical connection**

Connection	M8 connector
------------	--------------

**Wiring**



**Remarks**

Remarks	cULus - Class 2 source required
---------	---------------------------------

Pack quantity [piece]	1
-----------------------	---