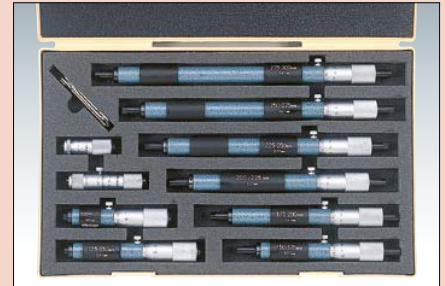


# Inside Micrometers

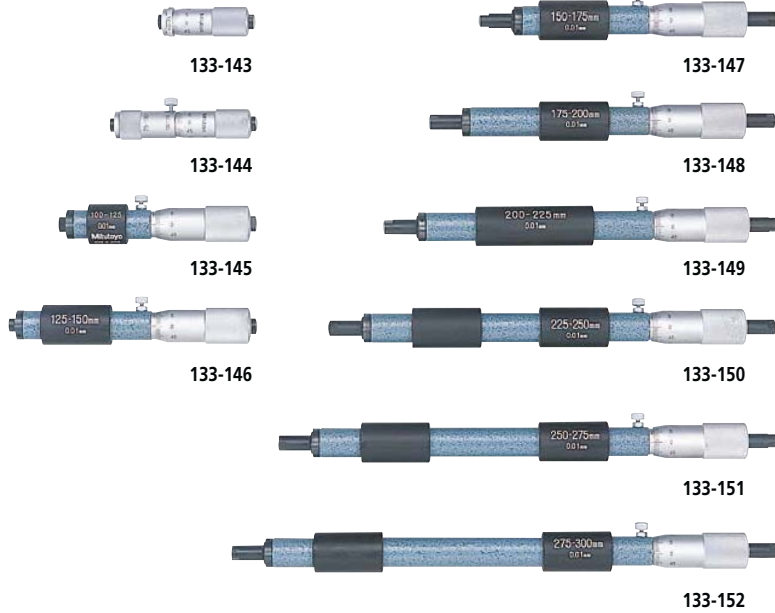
## SERIES 133 – Tubular Inside Micrometer

- Standard single tube type inside micrometer.
- The sleeve is rotated to adjust the index line position when setting to a length standard.
- Carbide measuring faces.
- An optional inside-length standard, such as a setting ring or Inside Micro Checker (see pages C-37 to C-38 or page C-24, respectively), is required for accurately setting the micrometer before measurement.

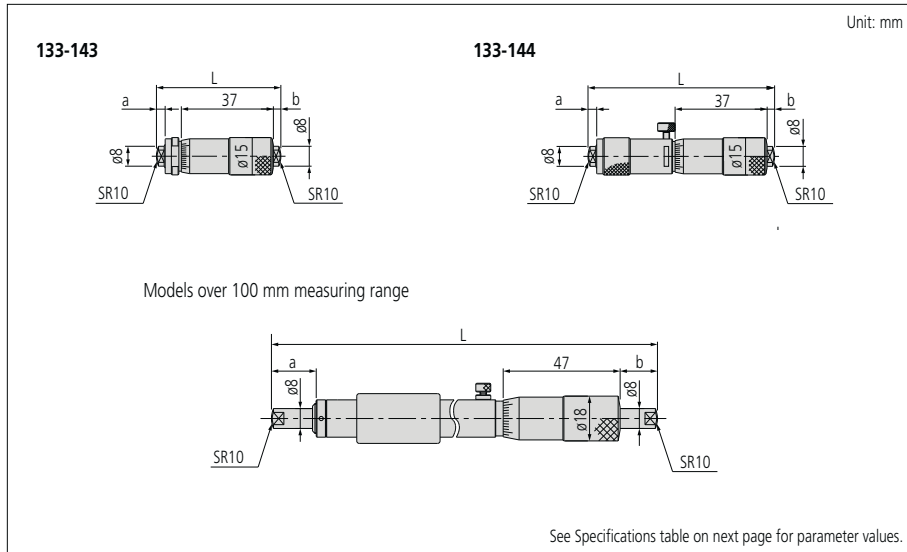


133-902 Inside Micrometer Set.

C



### Dimensions



## Optional Accessory

Setting rings (up to  $\varnothing 300$  mm/ $\varnothing 12$ "") refer to pages C-37 to C-38.

## Specifications

Metric							
Code No.	Range	Graduation	Accuracy	L	a	b	
133-143	50 - 75 mm	0.01 mm	$\pm 3 \mu\text{m}$	50	3.5	3	
133-144	75 - 100 mm		$\pm 4 \mu\text{m}$	75			
133-145	100 - 125 mm		$\pm 5 \mu\text{m}$	100			5
133-146	125 - 150 mm			125			
133-147	150 - 175 mm			150			
133-148	175 - 200 mm			175			
133-149	200 - 225 mm			200			
133-150	225 - 250 mm			225			
133-151	250 - 275 mm		$\pm 6 \mu\text{m}$	250	18	15	15
133-152	275 - 300 mm			275			
133-153	300 - 325 mm		$\pm 7 \mu\text{m}$	300	18	15	15
133-154	325 - 350 mm			325			
133-155	350 - 375 mm			350			
133-156	375 - 400 mm		$\pm 8 \mu\text{m}$	375	18	15	15
133-157	400 - 425 mm			400			
133-158	425 - 450 mm		$\pm 9 \mu\text{m}$	425	18	15	15
133-159	450 - 475 mm			450			
133-160	475 - 500 mm			475			
133-161	500 - 525 mm		$\pm 10 \mu\text{m}$	500	18	15	15
133-162	525 - 550 mm			525			
133-163	550 - 575 mm			550			
133-164	575 - 600 mm		$\pm 11 \mu\text{m}$	575	18	15	15
133-165	600 - 625 mm			600			
133-166	625 - 650 mm		$\pm 12 \mu\text{m}$	625	18	15	15
133-167	650 - 675 mm			650			
133-168	675 - 700 mm			675			
133-169	700 - 725 mm		$\pm 13 \mu\text{m}$	700	18	15	15
133-170	725 - 750 mm			725			
133-171	750 - 775 mm		$\pm 14 \mu\text{m}$	750	18	15	15
133-172	775 - 800 mm			775			
133-173	800 - 825 mm	800					
133-174	825 - 850 mm	$\pm 15 \mu\text{m}$	825	18	15	15	
133-175	850 - 875 mm		850				
133-176	875 - 900 mm	$\pm 16 \mu\text{m}$	875	18	15	15	
133-177	900 - 925 mm		900				
133-178	925 - 950 mm		925				
133-179	950 - 975 mm	$\pm 16 \mu\text{m}$	950	18	15	15	
133-180	975 - 1000 mm		975				

### Micrometer sets

Code No.	Range	Models included
133-901	50 - 150 mm (4 heads/set)	133-143/4/5/6
133-902	50 - 300 mm (10 heads/set)	133-143/44/45/46/47/48/49/50/51/52

### Inch

Code No.	Range	Graduation	Accuracy	L	a	b
133-223	2 - 3"	.001"	$\pm 0.0015''$			
133-224	3 - 4"		$\pm 0.002''$			
133-225	4 - 5"		$\pm 0.0025''$			
133-226	5 - 6"					
133-227	6 - 7"					
133-228	7 - 8"					
133-229	8 - 9"					
133-230	9 - 10"					
133-231	10 - 11"		$\pm 0.003''$			
133-232	11 - 12"					

### Micrometer sets

Code No.	Range	Models included
133-903	2 - 6" (4 heads/set)	133-223/4/5/6
133-904	2 - 12" (10 heads/set)	133-223/24/25/26/27/28/29/30/31/32